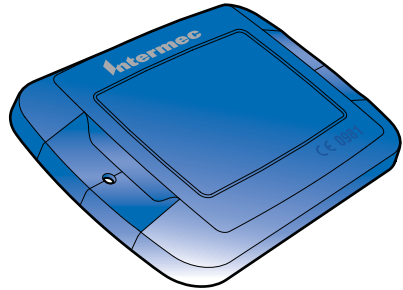




This shipping container includes:

- 10 EPC Gen 2 Enterprise LT tags, or 250 EPC Gen 2 Enterprise LT tags
- this information sheet.



About the IT67 Tags

Intermecc's enterprise LT tag is a truly passive UHF RFID tag designed for superior performance on a variety of surfaces. The tag combines an impressive range with a rugged yet compact package designed for harsh industrial applications. The broadband antenna design provides consistent UHF range performance across most worldwide regions.

To order additional RFID tags, contact your local Intermecc sales representative.

Installing the Tags

You can attach the tag using screws, double-sided adhesive strips, or any other method appropriate for your RFID system. Each tag has two mounting holes for use with pan-head screws (not included).



Caution

Use caution when tightening hardware to avoid damaging the tag housing.

Tag Specifications

The table below shows the tag specifications for the IT67 Container Tag.

IT67 Enterprise LT Tag Specifications

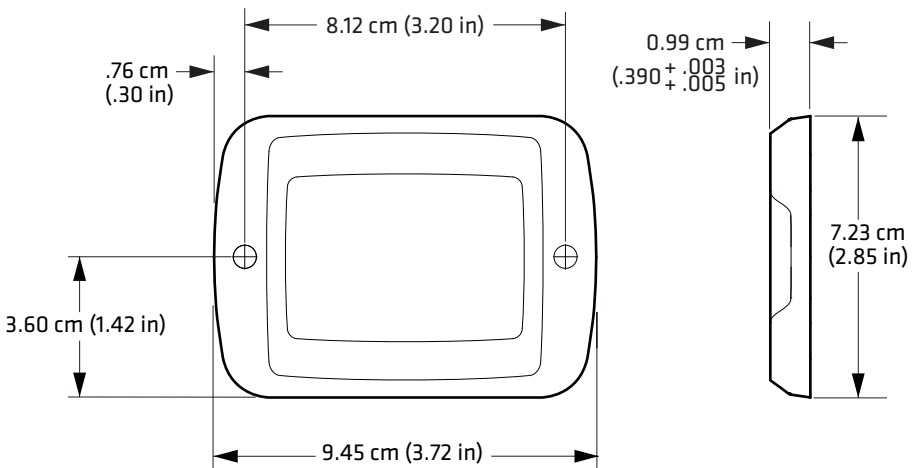
Type	Description
Size	7.23 cm x 9.45 cm x 0.99 cm (2.85 in x 3.72 in x 0.39 in)
Frequency	860 MHz to 960 MHz
Operating Temperature	-4°C to 65°C (-40°F to 150°F)
Read Range (typical)	5 m (16 ft) when mounted on a metal container for portal applications. 2.44 m (8 ft) when mounted on a metal container for forklift applications.



Note: Read ranges shown represent typical performance using an unlicensed reader system (4 watts EIRP) at the given frequency. Actual range performance may vary depending on power output and environmental factors.

CE 0981 ⓘ Complies with R&TTE Directive 1999/05/EC.

Tag Dimensions



Where To Go for More Information

Visit the Intermecc web site at www.intermec.com to download PDF versions of our current manuals. To order printed versions of the Intermecc manuals, contact your local Intermecc representative or distributor.

Visit the Intermecc technical knowledge base (Knowledge Central) at intermec.custhelp.com to review technical information or to request technical support for your Intermecc product.

Patent Information

This product is covered by one or more of the following patents:

5,030,807; 5,055,659; 5,479,160; 5,521,601; 5,528,222; 5,538,803; 5,550,547; 5,552,778; 5,554,974; 5,563,583; 5,565,847; 5,606,322; 5,606,323; 5,673,037; 5,680,106; 5,682,143; 5,729,201; 5,736,929; 5,739,754; 5,767,789; 5,771,021; 5,786,626; 5,812,065; 5,821,859; 5,825,329; 5,826,328; 5,831,532; 5,874,902; 5,889,489; 5,909,176; 5,912,632; 5,939,984; 5,942,987; 5,962,837; 5,966,082; 5,972,156; 5,995,006; 5,995,019; 6,028,564; 6,032,127; 6,056,199; 6,061,614; 6,078,251; 6,078,259; 6,097,347; 6,100,804; 6,104,281; 6,104,291; 6,114,962; 6,118,379; 6,121,878; 6,121,880; 6,130,612; 6,140,146; 6,147,604; 6,147,606; 6,163,260; 6,166,638; 6,172,596; 6,177,872; 6,201,474; 6,215,401; 6,215,402; 6,236,223; 6,239,703; 6,243,013; 6,246,326; 6,249,227; 6,259,408; 6,275,157; 6,278,413; 6,280,544; 6,281,794; 6,285,342; 6,288,629; 6,294,997; 6,294,998; 6,320,509; 6,329,915; 6,357,662; 6,360,208; 6,366,260; 6,369,711; 6,371,375; 6,400,274; 6,404,325; 6,412,086; 6,422,476; 6,441,740; 6,518,885; 6,525,648; 6,566,850; 6,593,845; 6,610,379; 6,768,414; 6,784,789; 6,794,000; 6,812,841; 6,816,063; 6,830,181; 6,838,989; 6,859,190; 6,906,615; 6,919,793; 6,944,424; 7,075,413; 7,103,087; 7,106,196; 7,117,374; 7,121,467; 7,123,129; 7,158,046; 7,158,091; 7,298,268; 7,274,297; 7,215,248; 7,274,297; 7,298,268; 7,323,977; 7,338,914.

There may be other patents pending.

IT67 Enterprise LT Tag Information



P/N 931-056-002



Worldwide Headquarters
6001 36th Avenue West
Everett, Washington 98203
U.S.A.

tel 425.348.2600

fax 425.355.9551

www.intermec.com

© 2008 Intermec Technologies
Corporation. All rights reserved.