

# IT67E

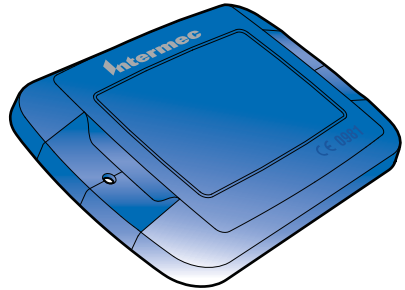
## Enterprise LT Tag Information



Intermec®

This shipping container includes:

- 10 EPC Gen 2 Enterprise LT tags, or 250 EPC Gen 2 Enterprise LT tags.
- this information sheet.



## About the IT67E Tags

Intermec's IT67E Enterprise LT Tag is optimized for use in the European UHF bandwidth to support applications in the European region where maximum range performance is required. The tag combines an impressive range with a rugged yet compact package designed for harsh industrial applications.

To order additional RFID tags, contact your local Intermec sales representative.



**Note:** The IT67E will provide significantly reduced performance with readers tuned for regulatory regions outside of the EU. If your application requires global performance, consider using Intermec's IT67 Enterprise LT Tag, which was designed specifically to support intercontinental applications.

## Installing the Tags

You can attach the tag using screws, double-sided adhesive strips, or any other method appropriate for your RFID system. Each tag has two mounting holes for use with pan-head screws (not included).



**Use caution when tightening hardware to avoid damaging the tag housing.**

Caution

# Tag Specifications

The table below shows the tag specifications for the IT67E Enterprise LT Tag.

## IT67E Enterprise LT Tag Specifications

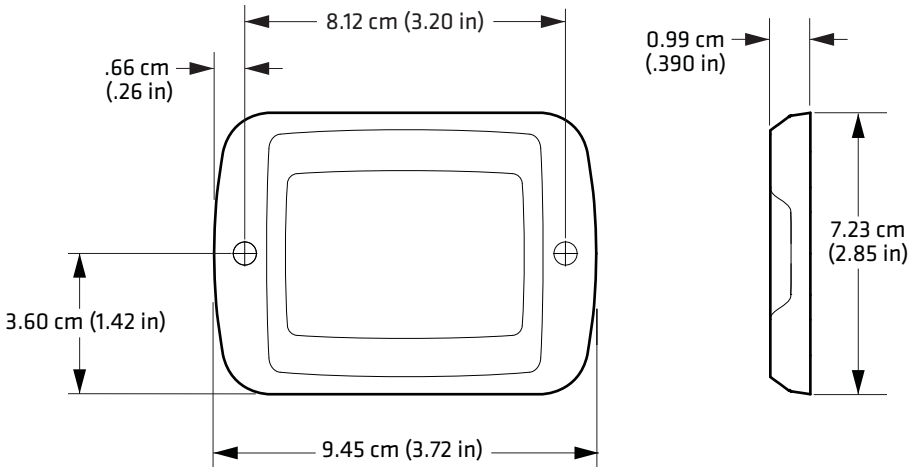
Type	Description
Size	7.23 cm x 9.45 cm x 0.99 cm (2.85 in x 3.72 in x 0.39 in)
Frequency	865.6 MHz to 867.6 MHz
Operating Temperature	-4°C to 65°C (-40°F to 150°F)
Read Range (typical)	6.01 m (20 ft) when mounted on a metal container for portal applications. 3.75 m (12 ft) when mounted on a metal container for forklift applications.



**Note:** Read ranges shown represent typical performance using an unlicensed reader system (4 watts EIRP) at the given frequency. Actual range performance may vary depending on power output and environmental factors.

**CE 0981** ⓘ Complies with R&TTE Directive 1999/05/EC.

## Tag Dimensions



# Where To Go for More Information

Visit the Intermec web site at [www.intermec.com](http://www.intermec.com) to download PDF versions of our current manuals. To order printed versions of the Intermec manuals, contact your local Intermec representative or distributor.

Visit the Intermec technical knowledge base (Knowledge Central) at [intermec.custhelp.com](http://intermec.custhelp.com) to review technical information or to request technical support for your Intermec product.

# Patent Information

This product is covered by one or more of the following patents:

5,030,807; 5,055,659; 5,479,160; 5,521,601; 5,528,222; 5,538,803; 5,550,547; 5,552,778; 5,554,974; 5,563,583; 5,565,847; 5,606,322; 5,606,323; 5,673,037; 5,680,106; 5,682,143; 5,729,201; 5,736,929; 5,739,754; 5,767,789; 5,771,021; 5,786,626; 5,812,065; 5,821,859; 5,825,329; 5,826,328; 5,831,532; 5,874,902; 5,889,489; 5,909,176; 5,912,632; 5,939,984; 5,942,987; 5,962,837; 5,966,082; 5,972,156; 5,995,006; 5,995,019; 6,028,564; 6,032,127; 6,056,199; 6,061,614; 6,078,251; 6,078,259; 6,097,347; 6,100,804; 6,104,281; 6,104,291; 6,114,962; 6,118,379; 6,121,878; 6,121,880; 6,130,612; 6,140,146; 6,147,604; 6,147,606; 6,163,260; 6,166,638; 6,172,596; 6,177,872; 6,201,474; 6,215,401; 6,215,402; 6,236,223; 6,239,703; 6,243,013; 6,246,326; 6,249,227; 6,259,408; 6,275,157; 6,278,413; 6,280,544; 6,281,794; 6,285,342; 6,288,629; 6,294,997; 6,294,998; 6,320,509; 6,329,915; 6,357,662; 6,360,208; 6,366,260; 6,369,711; 6,371,375; 6,400,274; 6,404,325; 6,412,086; 6,422,476; 6,441,740; 6,518,885; 6,525,648; 6,566,850; 6,593,845; 6,610,379; 6,768,414; 6,784,789; 6,794,000; 6,812,841; 6,816,063; 6,830,181; 6,838,989; 6,859,190; 6,906,615; 6,919,793; 6,944,424; 7,075,413; 7,103,087; 7,106,196; 7,117,374; 7,121,467; 7,123,129; 7,158,046; 7,158,091; 7,298,268; 7,274,297; 7,215,248; 7,274,297; 7,298,268; 7,323,977; 7,338,914.

There may be other patents pending.

IT67E Enterprise LT Tag Information



P/N 931-058-002



Worldwide Headquarters  
6001 36th Avenue West  
Everett, Washington 98203  
U.S.A.

tel 425.348.2600

fax 425.355.9551

[www.intermec.com](http://www.intermec.com)

© 2009 Intermec Technologies  
Corporation. All rights reserved.